

ORC Rig Measurement Form

Yacht Name

Sail Number

Class

Measurer

Date



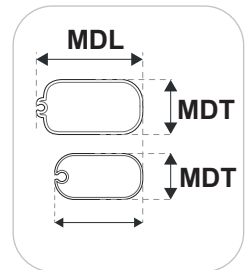
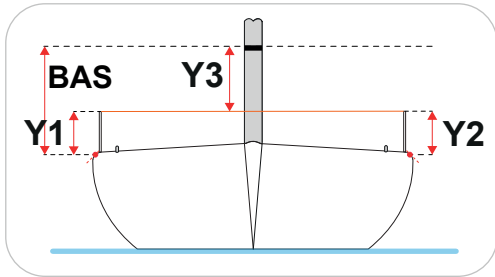
Y1

Y2

$(Y1+Y2) / 2$

Y3 +

BAS =



MDL2

MDT2

MDL1

MDT1

offset +

ISP *to mark* +

BAS +

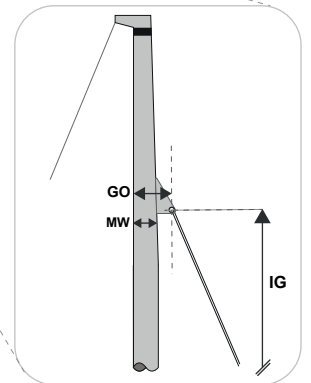
ISP *final* =

offset +

IG *to mark* +

BAS +

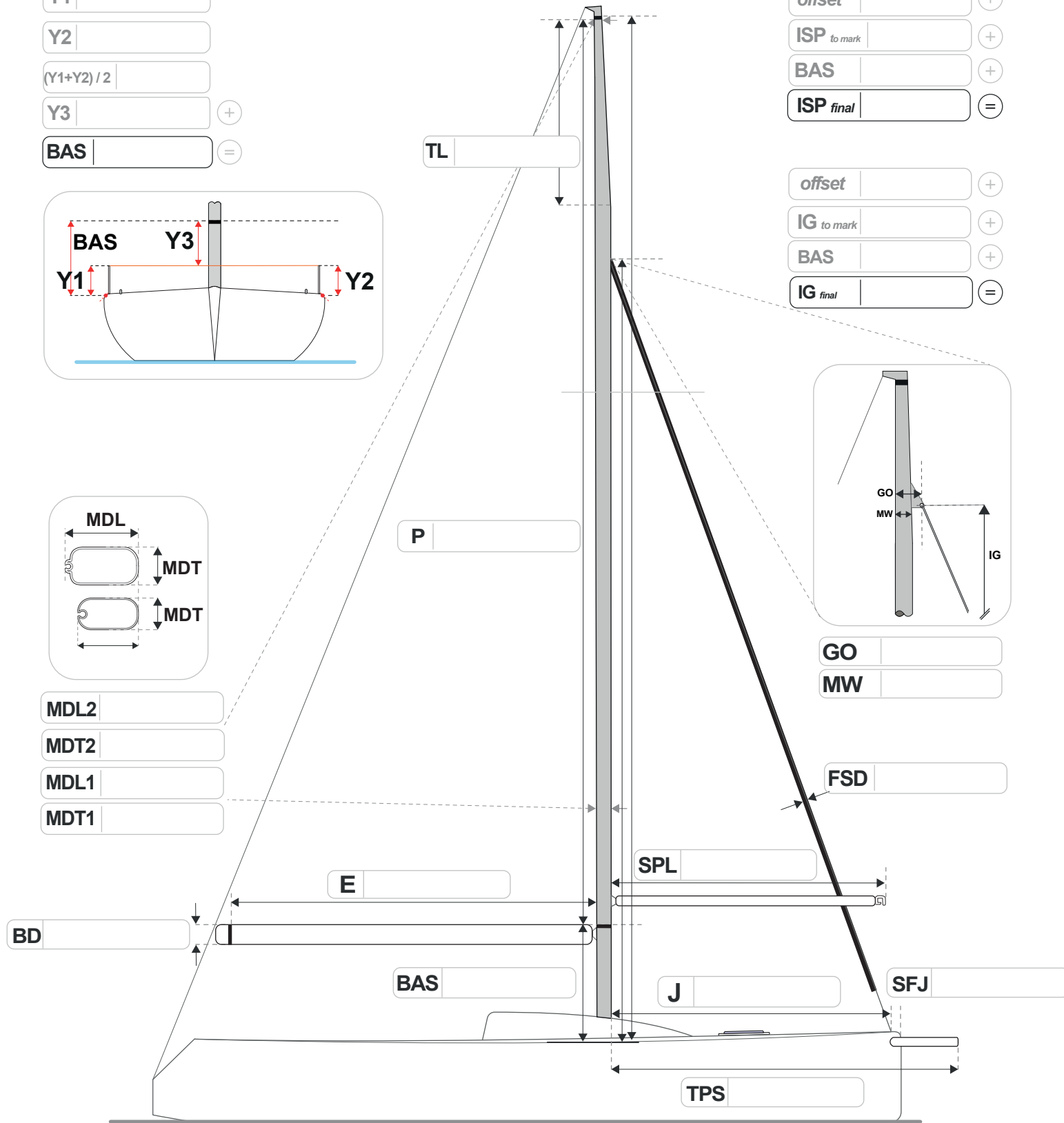
IG *final* =



GO

MW

FSD



Inner Stay:

- None fitted
- Adjustable
- Fixed

Forestay tension:

- Aft
- Forward
- Aft & Forward
- Fixed

Spreaders

- Runners / Checkstays
- No Backstay

Headsail Furler

- Mainsail Furler
- Articulated Bowsprit
- Rotating Mast

Carbon Mast

- Fiber Rigging
- Non-circular rigging